

# CURVED GLASS CANOPY WITH 6mm FALL HANGERS

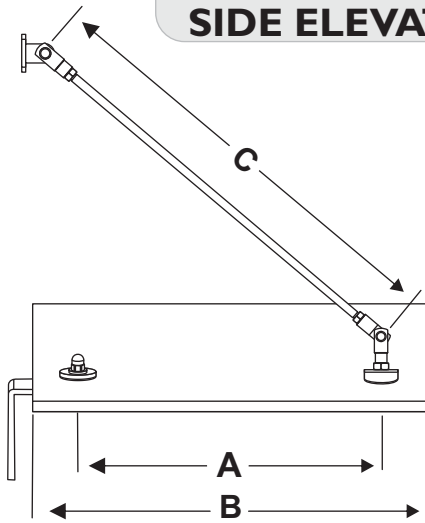
PHOTO



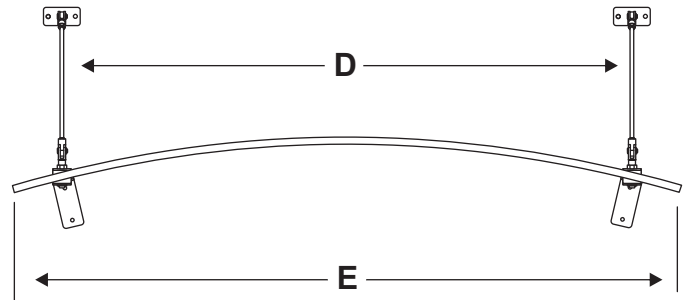
PHOTO



SIDE ELEVATION



FRONT ELEVATION



## DESCRIPTION

Elegant and Modern Structural Canopies 10mm clear curved glass with polished edges. 6mm Projectional fall of glass, Material Stainless Steel 316 brackets and tie rod Hangers, Great corrosion resistant for specified application.

## DIMENSION

A	B	C	D	E
440	520	715	1250	1500
440	520	715	1550	1800
440	520	715	1850	2100
640	720	1043	1250	1500
640	720	1043	1550	1800
640	720	1043	1850	2100

## SPECIFICATION

### ITEM

1. ANGLE BRACKETS LARGE WITH 6MM FALL
2. 10MM TOUGHENED GLASS
3. 40MM O/D WRAS EDPM RUBBER WASHER
4. M8X40MM BUTTON HEAD SCREWS
5. M8X35MM BUTTON HEAD SCREWS
6. 8MM TIE ROD 667MM - 850MM - 995MM
7. HANGER END M8 LUG OPEN
8. HANGER END M8 CLOSED
9. CLAMP DISC 3MM
10. CLAMP DISC 4MM
11. E-CLIP ( CIRCLIP )
12. CONNECTING PIN
13. DOME NUT
14. WALL BRACKETS M8 NUTS
15. M8 NUTS

Drawn By:

ASH

Approved By:

Title:

CANOPY  
ASSY

DRG No.: GC1070



Architectural  
Fibreglass  
Mouldings Ltd

Units are in MM

Sheet No. 1 of 1

Scale: NTS

Sheet Size: A4

