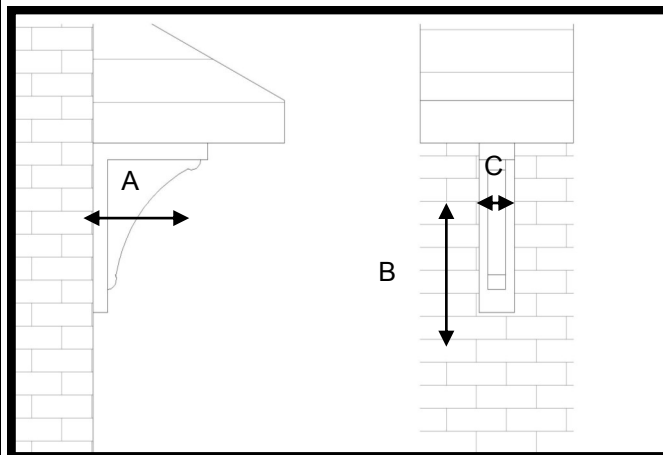
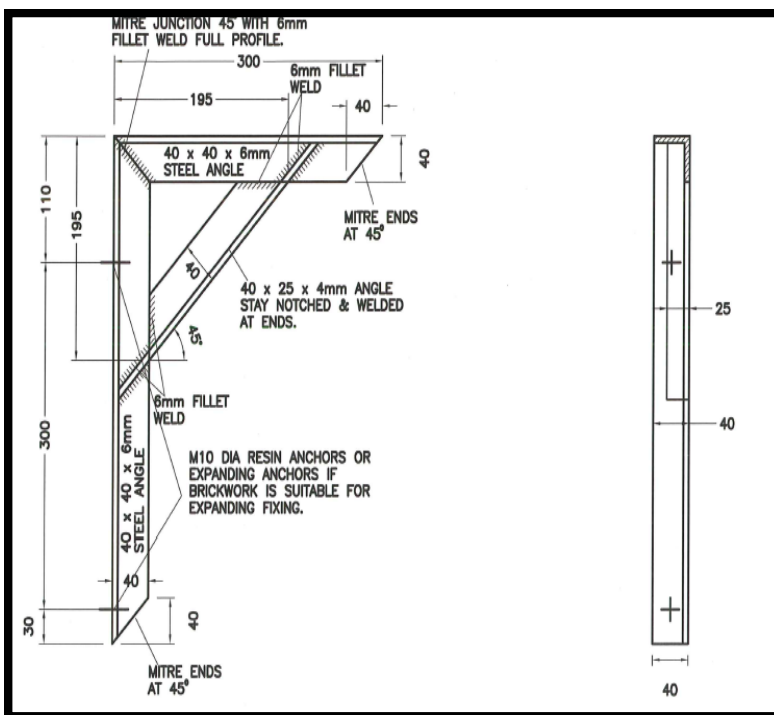


# Steel Gallow Bracket



The steel brackets have been designed for additional support and concealed with GRP decorative legs. They are also designed to withstand both snow loading / maintenance



For size and dimension of canopy legs please refer to table below and the scale drawing above

Dimension of canopy leg		
A = 390	B = 500	C = 120
Dimension of steel bracket		
A = 300	B = 440	C = 40